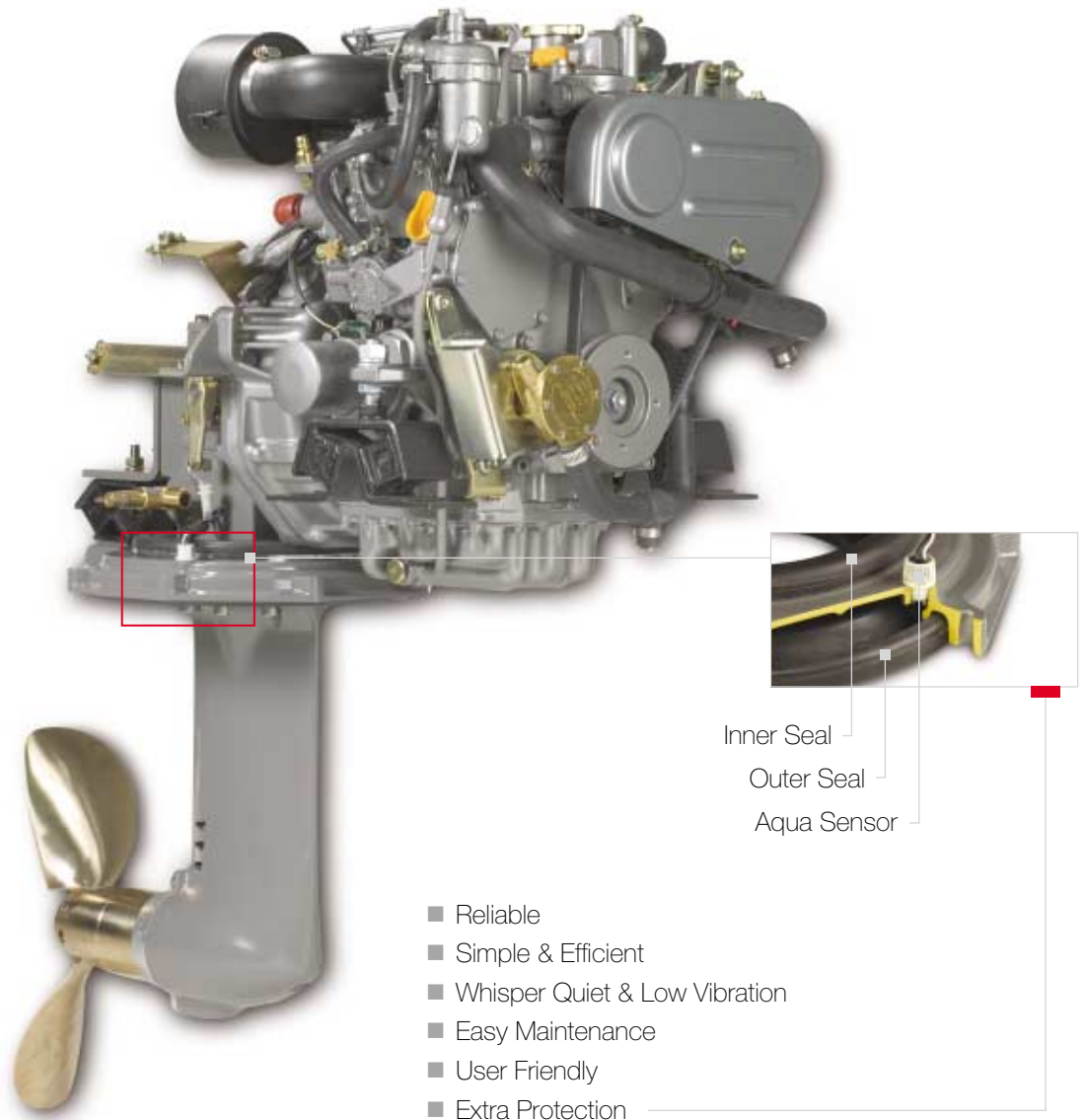




Yanmar Saildrive SD50

The Powerful Gem



- Reliable
- Simple & Efficient
- Whisper Quiet & Low Vibration
- Easy Maintenance
- User Friendly
- Extra Protection

Yanmar Saildrive Type	SD50	SD50-T
Reduction gear system	Constant mesh gear with cone clutch	Constant mesh gear with cone clutch
Reduction ratio (fwd / asn)	2.32/2.32	2.32/2.32
Propeller speed (fwd / asn)	1253/1253	1595/1595
Direction of rotation (propeller shaft - fwd)	Clockwise & counter clockwise viewed from stern	Clockwise & counter clockwise viewed from stern
Dry weight Saildrive	40 kg (88 lbs)	42 kg (93 lbs)

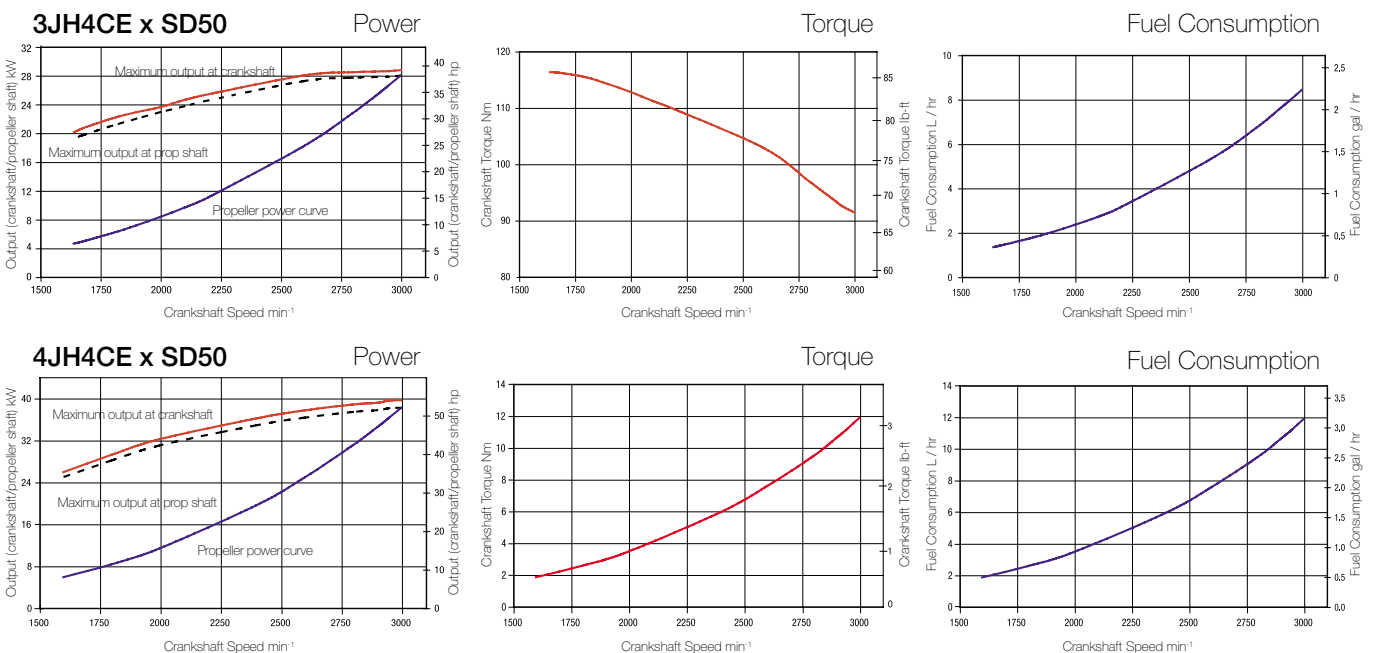


Engine Model	3JH4CE x SD50
Configuration	4-stroke, vertical, water cooled diesel engine
Maximum output at crankshaft	* 29.4 kW (40 hp) / 3000 rpm ** 28.7 kW (39 hp) / 3000 rpm
Continuous rating output at crankshaft	26.7 kW (36.3 hp) / 2907 rpm
Displacement	1.64 L (100 cu in)
Bore x stroke	88 mm x 90 mm (3.46 in x 3.54 in)
Cylinders	3
Combustion system	Direct injection
Aspiration	Natural aspiration
Starting system	Electric starting 12 V - 1.4 kW
Alternator	12 V - 80 A (60 A optional)
Cooling system	Fresh water cooling
Lubrication system	Enclosed, forced lubricating system
Lubrication oil for Saildrive	API GL4 or GL5 and SAE 80W90 or 90, or Quicksilver High Performance Gear Lube
Direction of rotation (crankshaft)	Counter clockwise viewed from flywheel
Dry weight with Saildrive	213 kg (470 lbs)
Environmental	Will meet the comprehensive emissions regulations to be introduced in EU and US Tier 2 in 2006
Engine mounting	Rubber type flexible mounting

NOTE: Fuel condition: Density at 15°C = 0.842 g / cm³; 1 hp = 0.7355 kW

* Fuel temperature 25°C at the inlet of the fuel injection pump (ISO 3046-1)

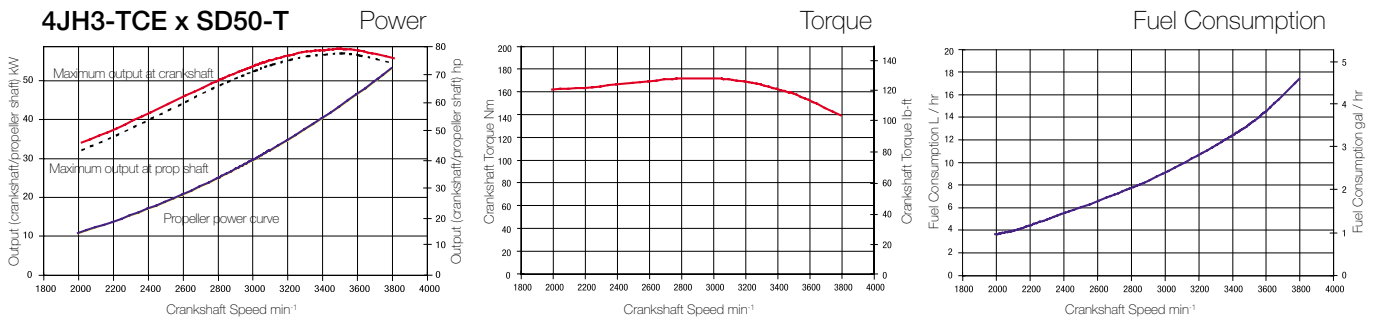
** Fuel temperature 40°C at the inlet of the fuel injection pump (ISO 8665)



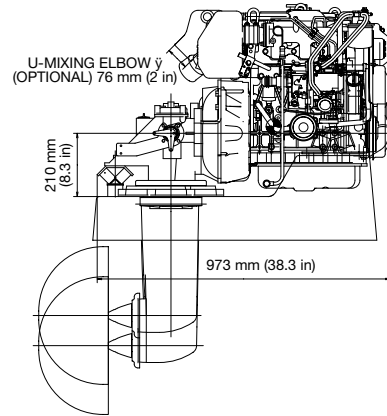
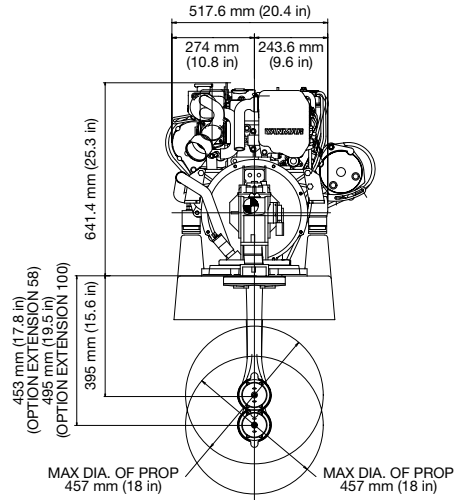


4JH4CE x SD50	4JH3-TCE x SD50-T
4-stroke, vertical, water cooled diesel engine	4-stroke, vertical, water cooled diesel engine
* 40.5 kW (55 hp) / 3000 rpm ** 39.6 kW (54 hp) / 3000 rpm	* 55.2 kW (75 hp) / 3800 rpm ** 53.5 kW (73 hp) / 3800 rpm
36.8 kW (50 hp) / 2907 rpm	51 kW (69 hp) / 3700 rpm
2.19 L (134 cu in)	1.99 L (122 cu in)
88 mm x 90 mm (3.46 in x 3.54 in)	84 mm x 90 mm (3.31 in x 3.54 in)
4	4
Direct injection	Direct injection
Natural aspiration	Turbo charged
Electric starting 12 V - 1.4 kW	Electric starting 12 V - 1.4 kW
12 V - 80 A (60 A optional)	12 V - 80 A (60 A optional)
Fresh water cooling	Fresh water cooling
Enclosed, forced lubricating system	Enclosed, forced lubricating system
API GL4 or GL5 and SAE 80W90 or 90, or Quicksilver High Performance Gear Lube	Quicksilver High Performance Gear Lube
Counter clockwise viewed from flywheel	Counter clockwise viewed from flywheel
240 kg (529 lbs)	261 kg (575 lbs)

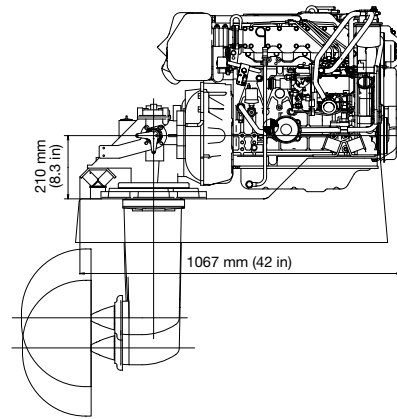
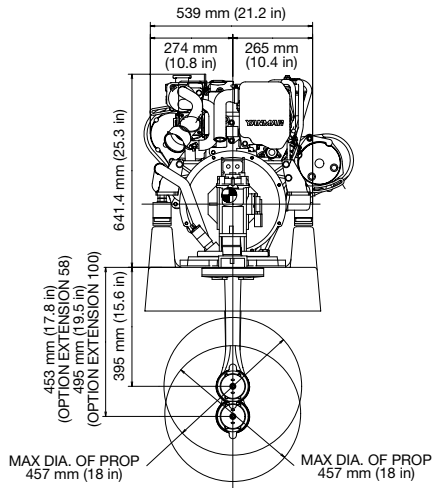
BSO II, SAV, EMC compliant and will meet the 2003/44/EC emissions regulations to be introduced in EU in 2006



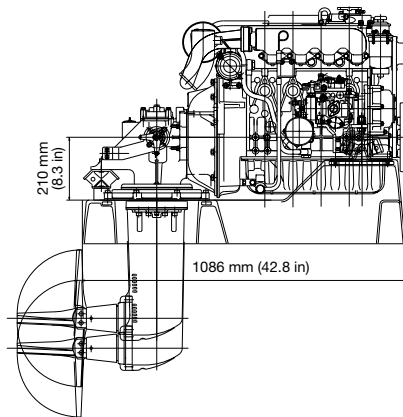
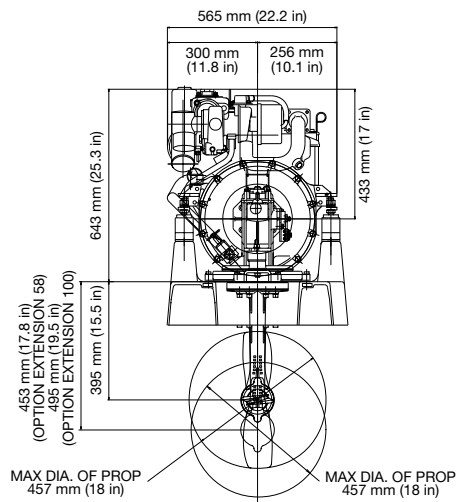
3JH4CE x SD50



4JH4CE x SD50



4JH3-TCE x SD50-T



Yanmar Marine International B.V.
Brugplein 11
1332 BS Almere-de Vaart
The Netherlands

Yanmar Marine USA Corp.
101 International Parkway
Adairsville,
Georgia 30103
USA

Yanmar Asia (Singapore) PTE
4 Tuas Lane
Singapore 638613

Yanmar Co., LTD
5-3-1 Tsukagachi - Honmachi
Amagasaki
Japan

2005 Yanmar Marine®, Inc. All rights reserved, Printed in EC

www.yanmarmarine.com

