

Yanmar type 6LPA-DTP

The Powerful Gem

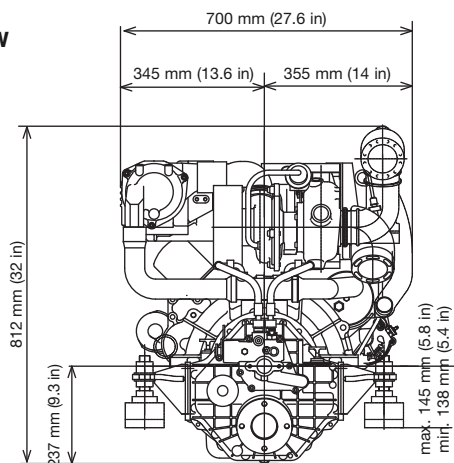


Configuration	4-stroke, vertical, water cooled diesel engine
Maximum output at crankshaft	* 191 kW (260 hp) / 3800 rpm ** 182 kW (248 hp) / 3800 rpm
Continuous rating output at crankshaft	154 kW (210 hp) / 3600 rpm
Displacement	4.164 L (254 cu in)
Bore x stroke	94 mm x 100 mm (3.70 in x 3.94 in)
Cylinders	6 in line
Combustion system	Direct injection
Aspiration	Turbocharged with intercooler
Starting system	Electrical starting 12 V - 2.5 kW
Alternator	12 V - 80 A
Cooling system	Fresh water cooling by centrifugal fresh water pump and rubber impeller seawater pump
Lubrication system	Enclosed, forced lubricating system
Direction of rotation (crankshaft)	Counter clockwise viewed from stern
Dry weight without gear	380 kg (837 lbs)
Environmental	SAV, IMO, EMC compliant and will meet the 2003/44/EC emission requirements effective from 2006
Engine mounting	Rubber type flexible mounting

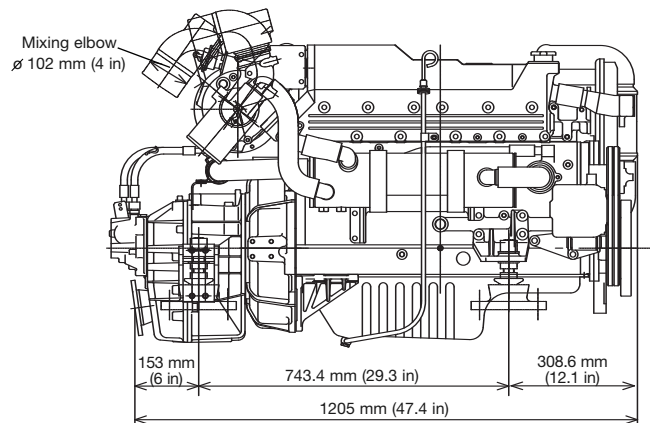
NOTE: Fuel condition: Density at 15°C = 0.860 g/cm³; 1 hp = 0.7355 kW
 * Fuel temperature 25°C at the inlet of the fuel injection pump (ISO 3046-1)
 ** Fuel temperature 40°C at the inlet of the fuel injection pump (ISO 8665)

Dimensions (For detailed line-drawings, please refer to our web-site: www.yanmarmarine.com)

Rear view

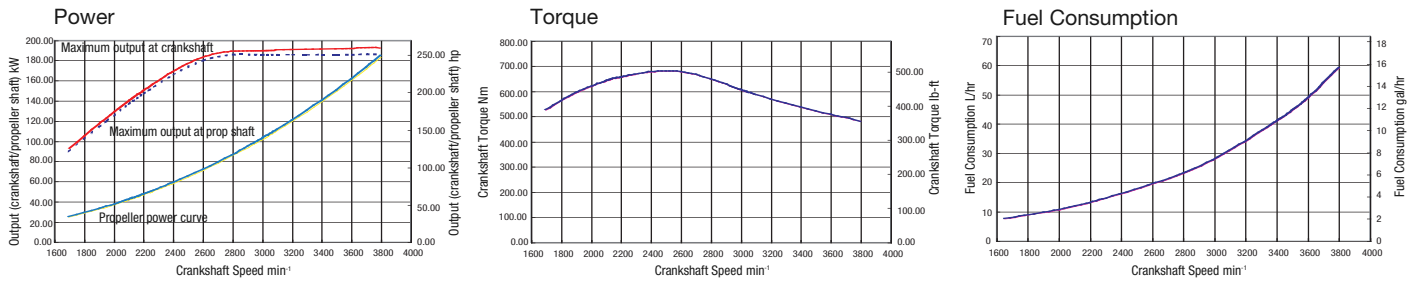


Right side view



6LPA-DTP w/ ZF63A marine gear

Performance Curves (Output is according ISO 8665 - Output includes +/- 3% tolerance)



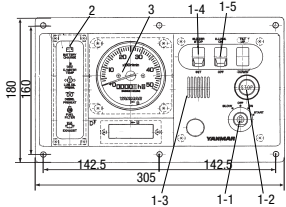
Marine gear (example) ***

Model	ZF63			
Type	8° down hydraulic			
Dry weight	44 kg (97 lbs)			
Reduction ratio (fwd/asn)	1.22/1.21	1.56/1.58	2.04/2.10	2.52/2.53
Propeller speed (fwd/asn)	3115/3140	2436/2405	1863/1810	1429/1423
Direction of rotation (propeller shaft - fwd)	Clockwise & counter clockwise viewed from stern			
Dry weight engine and gear/drive	424 kg (935 lbs)			
Length engine and gear/drive	1205 mm (47 in)			

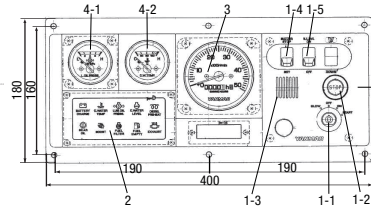
*** Gear also available in; ZF63H1 (Parallel) reduction ratio: 1.51, 1.93, 2.50 & 2.78; ZF63V1 (V-drive) reduction ratio: 1.29, 1.56, 2.00 & 2.48
 *** Other marine gearboxes and configurations available upon request. Contact your local supplier for more information.

Instrument Panels

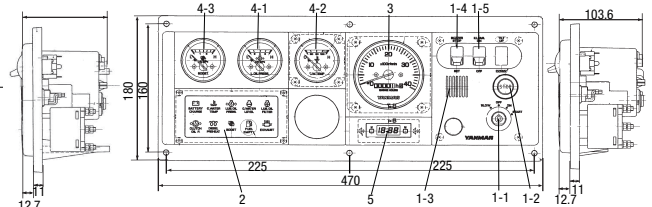
New B-type Panel



New C-type Panel



New D-type Panel



Function	Type of instrument panel		
	New B-type Panel	New C-type Panel	New D-type Panel
① Switch unit			
1-1 Key switch for GLOW/OFF/ON/START (4-position switch)	O	O	O
1-2 Engine stop switch	O	O	O
1-3 Alarm buzzer (C.W. Temp., L.O. Pressure)	O	O	O
1-4 Alarm buzzer stop switch	O	O	O
1-5 Illumination switch for meters	O	O	O
② Alarm lamp unit			
Battery not charging	O	O	O
C.W. high temperature	O	O	O
L.O. low pressure	O	O	O
F.O. drain separator (water level)	O	O	O
Sea water flow	O	O	O
C.W. level for fresh water tank	X	O	O
Boost pressure high	O	O	O
③ Tachometer with hour meter	O	O	O
④ Sub meter unit			
4-1 L.O. pressure meter	X	O	O
4-2 C.W. Temperature meter	X	O	O
4-3 Boost meter (turbo)	X	X	O
⑤ Quartz clock	X	X	O

Note: O = Equipped on panel X = Not equipped on panel

Accessories

Standard Package

- Sensor for various panels
- Exhaust/water mixing elbow (L-type)
- Cooling water hoses
- Alternator 12 V - 80 A

Optional

- Flexible mounts
- Fuel water separator
- Exhaust/water mixing elbow, U-type (high riser)
- Analog and digital (New B-type, New C-type and New D-type) instrument panels
- Dual station Y harness
- Sensor for VDO instrument panels
- Control heads
- Lub oil evacuation pump
- Dipstick for opposite side
- Air venting device for cooling water tank

Texts and illustrations are not binding. Yanmar Marine reserves the right to introduce adaptations without prior notification.